

PAGE	
REV.NO	

# APPROVAL SHEET

CUSTOMER	:	
ITEM	:	SMD POWER INDUCTOR
PART NAME	:	NS5845 Series
SPEC	:	NS5845

APPROVED	REFEERENCE

( Date : 2021-07-29 )

TESTED	CHECKED BY	APPROVED BY



**NAMSUN ELECTRONICS CO.,LTD**

Na-3506, CHUNG ANG CIRCULATION COMPLEX 15  
 GYUNGINRO 53-GIL GURO-GU SEOUL 08217 ,KOREA  
 TEL: 02-2689-9418/02-6679-9418 , FAX: 02-2689-8628  
 Homepage : [www.nsn.co.kr](http://www.nsn.co.kr) / E-mail : [sun@nsn.co.kr](mailto:sun@nsn.co.kr)



CUSTOMER :

<b>SPECIFICATION</b>		SHEET NO.	1/5
PART NAME	NS5845	DESCRIPTION	5.8x4.5mm

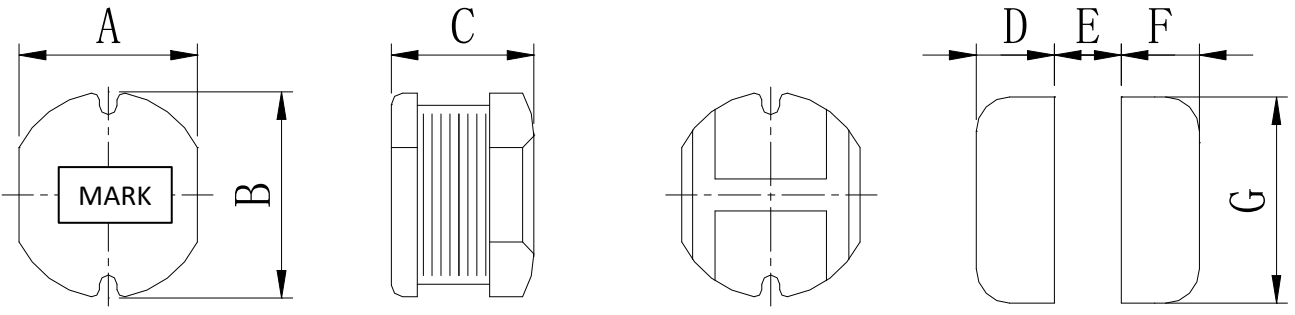
**1. INDEX**

Page No.	Item	Remarks
1/5	1. Index	
2/5	2. Dimension 3. Packing Spec	
3/5	4. Solder Reflow	
4/5	5. Electrical Characteristics	
5/5	5. Electrical Characteristics 6. Environmental Characteristics	

CUSTOMER :

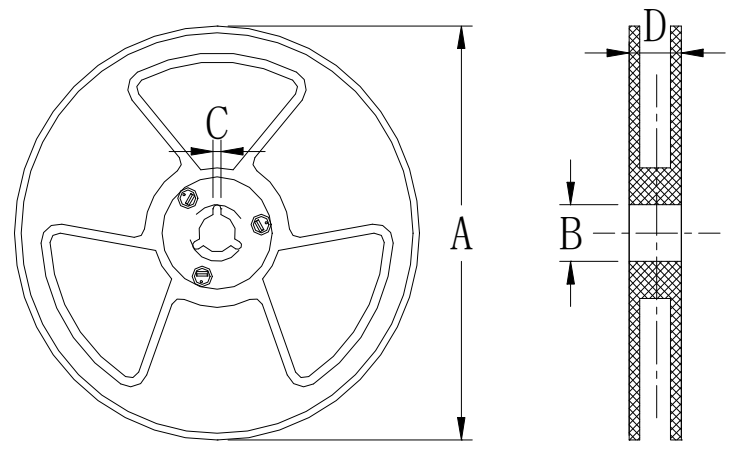
<b>SPECIFICATION</b>		SHEET NO.	2/5
PART NAME	NS5845	DESCRIPTION	5.8x4.5mm

2. DIMENSION (Unit:mm)



CODE	A	B	C	D	E	F	G
SMD 5845	5.2±0.3	5.8±0.3	4.5±0.35	2.15	1.70	2.15	5.50

3. PACKING SPEC (Unit:mm)

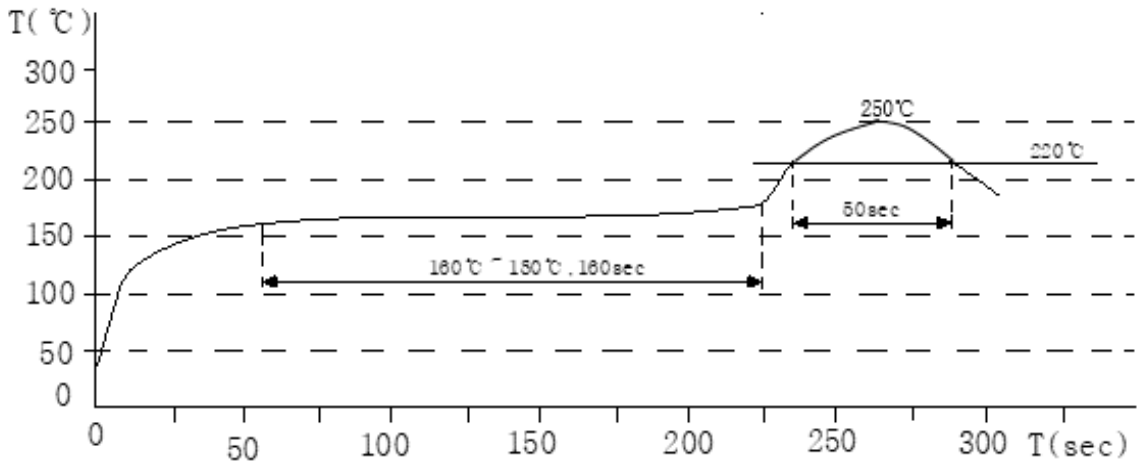


CODE	A	B	C	D
SMD 5845	Φ330±2.0	Φ90±2.0	2.3	21.5

CUSTOMER :

<b>SPECIFICATION</b>		SHEET NO.	3/5
PART NAME	NS5845	DESCRIPTION	5.8x4.5mm

4. SOLDER REFLOW



CUSTOMER :

<b>SPECIFICATION</b>		SHEET NO.	4/5
PART NAME	NS5845	DESCRIPTION	5.8x4.5mm

5. ELECTRICAL CHARACTERISTICS

PART No.	NOMINAL INDUCTANCE ( uH )	Tol.	Test freq.	DCR (Ω)MAX	IDC (A)MAX
NS5845-1R0M	1.0	±20%	100KHz 0.25V	0.0130	5.40
NS5845-1R5M	1.5			0.0169	4.70
NS5845-1R8M	1.8			0.0195	4.50
NS5845-2R2M	2.2			0.0221	4.00
NS5845-3R3M	3.3			0.0312	3.70
NS5845-3R9M	3.9			0.0364	3.20
NS5845-4R7M	4.7			0.0520	3.10
NS5845-5R6M	5.6			0.0546	2.80
NS5845-6R8M	6.8			0.0585	2.40
NS5845-8R2M	8.2			0.0624	2.00
NS5845-100K	10	±10%	1KHz 0.25V	0.0879	1.42
NS5845-120K	12			0.0754	1.38
NS5845-150K	15			0.1053	1.28
NS5845-180K	18			0.1170	1.22
NS5845-220K	22			0.1690	1.10
NS5845-270K	27			0.1534	0.95
NS5845-330K	33			0.2080	0.86
NS5845-390K	39			0.2145	0.78
NS5845-470K	47			0.3550	0.71
NS5845-560K	56			0.3770	0.66
NS5845-680K	68			0.3900	0.60
NS5845-820K	82			0.4160	0.57
NS5845-101K	100			0.6110	0.51
NS5845-121K	120			0.7540	0.47
NS5845-151K	150			0.8450	0.38

CUSTOMER :

<b>SPECIFICATION</b>		SHEET NO.	5/5
PART NAME	NS5845	DESCRIPTION	5.8x4.5mm

**5. ELECTRICAL CHARACTERISTICS**

PART No.	NOMINAL INDUCTANCE ( uH )	Tol.	Test freq.	DCR (Ω)MAX	IDC (A)MAX
NS5845-181K	180	±10%	1KHz 0.25V	1.0400	0.36
NS5845-221K	220			1.4500	0.34
NS5845-271K	270			1.5100	0.31
NS5845-331K	330			1.7600	0.28
NS5845-391K	390			2.0800	0.26
NS5845-471K	470			2.9900	0.24
NS5845-561K	560			3.1200	0.22
NS5845-681K	680			3.9000	0.20
NS5845-821K	820			5.2000	0.19
NS5845-102K	102			4.8000	0.14

Rated current : The DC current at which the inductance decreases to 90% of its initial value or when  $\Delta t=40^{\circ}\text{C}$ , whichever is lower( $T_a=25^{\circ}\text{C}$ )

\* TEST CONDITION

TEST INSTRUMENT : HP4291B、502BC、CH1062

TEMPERATURE : 25°C

HUMIDITY : 60%

**6. ENVIRONMENTAL CHARACTERISTICS**

Operating Temperature	-40 ~ +100°C	
Storage Temperature Range	-40 ~ +100°C	
MOISTURE RESISTANCE	90~95(%), 40±2(°C) 96HRS Than the filter is no visible damaged not exceed spec.	
INSULATION RESISTANCE	COIL & CORE	DC 100 [V] , 100 [MΩ] MIN, 5 MINUTES