

CUSTOMER :

Approval – Sheet

PART NAME : RADIAL INDUCTOR

CODE NO. : DR4A-122K-B

SPEC. : DR4A-1.2mH-Bulk

MODEL NO. :

DATE : 2020.09.01.

 **NAMSUN ELECTRONICS CO.,LTD**

Na-3506,CHUNG ANG CIRCULATION COMPLEX 15 GYUNGINRO 53-GIL GURU
-GU SEOUL 08217 ,KOREA TEL:02-2689-8628 / FAX: 02-2689-8628

S P E C I F I C A T I O N S

CODE NO.

DR4A-122K-B

INDUCTANCE

DR4A-1.2mH-Bulk

INDEX

1. REVISION RECORD
2. DIMENSION & MARKING
3. WINDING SPECIFICATION
4. ELECTRICAL CHARACTERISTICS
5. CONNECTION
6. STRUCTURE
7. MATERIAL LIST
8. ENVIRONMENTAL CHARACTERISTICS
9. MECHANICAL CHARACTERISTICS
10. TEST DATA
11. UL - CARD

DRAWN	CHECKED	APPROVED	DATE	2020.09.01.	PAGE	1/8
			PART- NAME	COIL - INDUCTOR		

S P E C I F I C A T I O N S

CODE NO.

DR4A-122K-B

INDUCTANCE

DR4A-1.2mH-Bulk

1. REVISION RECORD

DATE	REASON	CONTENTS	APPROVAL	REV. NO.	PAGE NO.
20.09.01		초도발행			

DRAWN

CHECKED

APPROVED

DATE

2020.09.01.

PAGE

2/8

PART-
NAME

RADIAL INDUCTOR

 NAMSUN ELECTRONICS CO.,LTD

S P E C I F I C A T I O N S

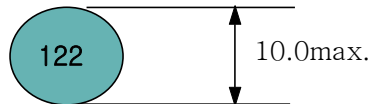
CODE NO.	DR4A-122K-B	INDUCTANCE	DR4A-1.2mH-Bulk
----------	-------------	------------	-----------------

2. DIMENSION & MARKING

(Unit:mm)

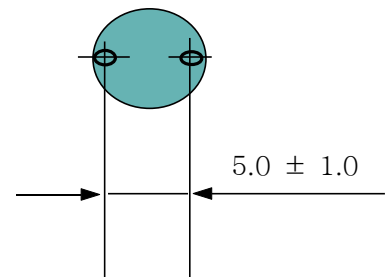
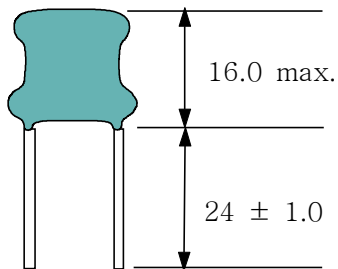
2-1. TOP VIEW

* MARKING : 122 or 122K



2-2. FRONT VIEW

2-3. BOTTOM VIEW



DRAWN	CHECKED	APPROVED	DATE	2020.09.01.	PAGE	3/8
			PART-NAME	RADIAL INDUCTOR		

S P E C I F I C A T I O N S

CODE NO.	DR4A-122K-B	INDUCTANCE	DR4A-1.2mH-Bulk
----------	-------------	------------	-----------------

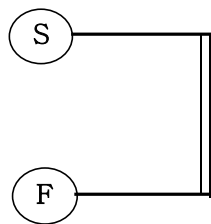
3. WINDING SPECIFICATION

WINDING NO.	TERMINAL		WIRE	TURNS	METHOD	DIRECTION (BOTTOM VIEW)
	S	F				
1	S	F	2UEW Ø0.25	190.5Ts (REF.)	SOLENOID	C.C.W.

4. ELECTRICAL CHARACTERISTICS

NO.	ITEM	TERMINAL	SPECIFICATION	REMARKS
1	INDUCTANCE	S - F	1.2mH ± 10 %	LCR-HITESTER HIOKI 3522 at 1 KHz
2	DC RESISTANCE	S - F	2.0 Ω MAX.	LCR-HITESTER HIOKI 3522
3	WITHSTANDING VOLTAGE	COIL - CORE	AC 500 V RMS. 1 MINUTE	CUT OFF CURRENT 5mA
4	INSULATION RESISTANCE	COIL - CORE	100 MΩ MIN. at DC 500V	TOS-8850

5. CONNECTION



DRAWN	CHECKED	APPROVED	DATE	2020.09.01.	PAGE	4/8
			PART-NAME	RADIAL INDUCTOR		

S P E C I F I C A T I O N S

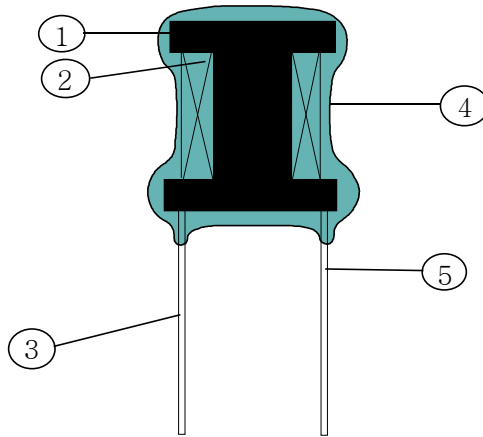
PART NO.

DR4A-122K-B

INDUCTANCE

DR4A-1.2mH-Bulk

6. STRUCTURE



7. MATERIAL LIST

N O.	COMPONENT	NAME OF MATERIAL	MANUFACTURE	UL FILE NO.
1	FERRITE CORE	DR 8*11	GUICI ELECTRC TECHNOLOGY CO.,LTD JIAXIN ELECTRONICS CO.,LTD C:3.5	
2	WIRE	2UEW	GUANGZHOU CHUNHUI ELECTRICAL APPLIANCES CO LTD	E198440
3	LEAD WIRE	CP 0.6	ZHAO QING YE HUA ELECTRONOCS CO.,LTD.	
4	EPOXY	GREEN	GUANGZHOU PANYU LUCKY SEVEN DECORATION CO.,LTD	
5	SOLDER	Sn bar	DONGGUAN GUANGXI METAL PRODUCTS CO.,LTD	

DRAWN

CHECKED

APPROVED

DATE

2020.09.01.

PAGE

5/8

PART-
NAME

RADIAL INDUCTOR

 NAMSUN ELECTRONICS CO.,LTD

S P E C I F I C A T I O N S

PART NO.

DR4A-122K-B

INDUCTANCE

DR4A-1.2mH-Bulk

8. ENVIRONMENTAL CHARACTERISTICS

- * STANDARD TEST CONDITION : TEMP $20^{\circ}\text{C} \pm 15^{\circ}\text{C}$ HUMIDITY $65\% \pm 20\%$
 IF WHEN ANY OBJECTION IS SUGESTED. THE TEST CAN BE OPERATED AT $20^{\circ}\text{C} \pm 2^{\circ}\text{C}$,
 $65\% \pm 5\%$ RH

ARTICLE	SPECIFICATION	TEST CONDITION
USED TEMPERATURE RANGE	$-25^{\circ}\text{C} \sim +105^{\circ}\text{C}$	
HIGH TEMPERATURE RESISTANT	MUST MEET THE REQUIREMENTS INDUCTANCE, DC-RESISTANCE AND HAS NOT ANY DAMAGE ON THE APPEARANCE AND THE INDUCTANCE VARIATION CAN NOT OVER 5% OF THE INITIAL VALUE	$+105^{\circ}\text{C} \pm 2^{\circ}\text{C}$, 96 \pm 4Hr MEASURE AFTER 2 Hr AT ROOM TEMP.
LOW TEMPERATURE RESISTANT		$-25^{\circ}\text{C} \pm 2^{\circ}\text{C}$, 96 \pm 4Hr MEASURE AFTER 2 Hr AT ROOM TEMP.
HUMIDITY RESISTANT		$+95\%RH \pm 5\%$ ($40^{\circ}\text{C} \pm 5^{\circ}\text{C}$), 96 \pm 4Hr MEASURE AFTER 2 Hr AT ROOM TEMP.
THERMAL SHOCK TEST		REPEAT 100 TIMES FROM STEP 1 AND TEST AFTER 2 Hr AT ROOM TEMP.

9. MECHANICAL CHARACTERISTICS

LEAD WIRE PULL STRENGTH	PULL THE PIN WITH 1.0Kgf DURING 30 ± 5 SEC.
-------------------------	---

DRAWN	CHECKED	APPROVED	DATE	2020.09.01.	PAGE	6/8
			PART-NAME	RADIAL INDUCTOR		

S P E C I F I C A T I O N S

PART NO.

DR4A-122K-B

INDUCTANCE

DR4A-1.2mH-Bulk

10. TEST DATA

NO.	INDUCTANCE	DC- RESISTANCE	INSULATION RESISTANCE	WITHSTANDING VOLTAGE
SPEC.	1mH \pm 10 %	3.0 Ω MAX.	100M Ω MIN. at DC 500V	AC 500V RMS. 1 MINUTE
1	1.24	1.80	OK	OK
2	1.26	1.72	OK	OK
3	1.21	1.78	OK	OK
4	1.22	1.64	OK	OK
5	1.20	1.60	OK	OK
6	1.23	1.60	OK	OK
7	1.28	1.82	OK	OK
8	1.24	1.60	OK	OK
9	1.25	1.65	OK	OK
10	1.23	1.68	OK	OK
\bar{X}	1.24	1.69		
MAX.	1.28	1.78		
MIN.	1.19	1.80		

DRAWN

CHECKED

APPROVED

DATE

2020.09.01.

PAGE

7/8

PART-
NAME

RADIAL INDUCTOR

 NAMSUN ELECTRONICS CO.,LTD

S P E C I F I C A T I O N S

PART NO.	DR4A-122K-B	INDUCTANCE	DR4A-1.2mH-Bulk
----------	-------------	------------	-----------------

11. UL - CARD

(WIRE)

July 19, 2002

OBMW2
 (Systems, Electrical Insulation - Component) Magnet Wire - Component
GUANGZHOU CHUNHUI ELECTRICAL APPLIANCES CO LTD E198440
 BLK 7, 8TH FL, ROOM H JIANADA GARDEN ZHONGSHAN DA
 DAO, GUANGZHOU GUANGDONG CHINA

Mil Deg	Mark Deg	Coat Type BC	OC	ANSI Type MW75	Temp Class 130
XUEW-ULR	(1)	Polyurethane			

(1)-Marked designations are the same as the material designations.
 @-X may be replaced by a 0, 1 or 2.
 Marking: Company name, material designation or marked designation on package or reel, and Recognized Component Mark.

See General Information Preceding These Recognitions
 For use only in equipment where the acceptability of the combination is determined by Underwriters Laboratories Inc.

9/19/2002
Underwriters Laboratories Inc.
Card 1 of 1

DRAWN	CHECKED	APPROVED	DATE	2020.09.01.	PAGE	8/8
			PART-NAME	RADIAL INDUCTOR		