

승 인	
정식승인	()
한도승인	()

SPECIFICATIONS

CUSTOMER	
ITEM	LINE FILTER
MODEL NAME	
PART No	Φ25 x 6mH(V.T)
DATE	2008-06-02

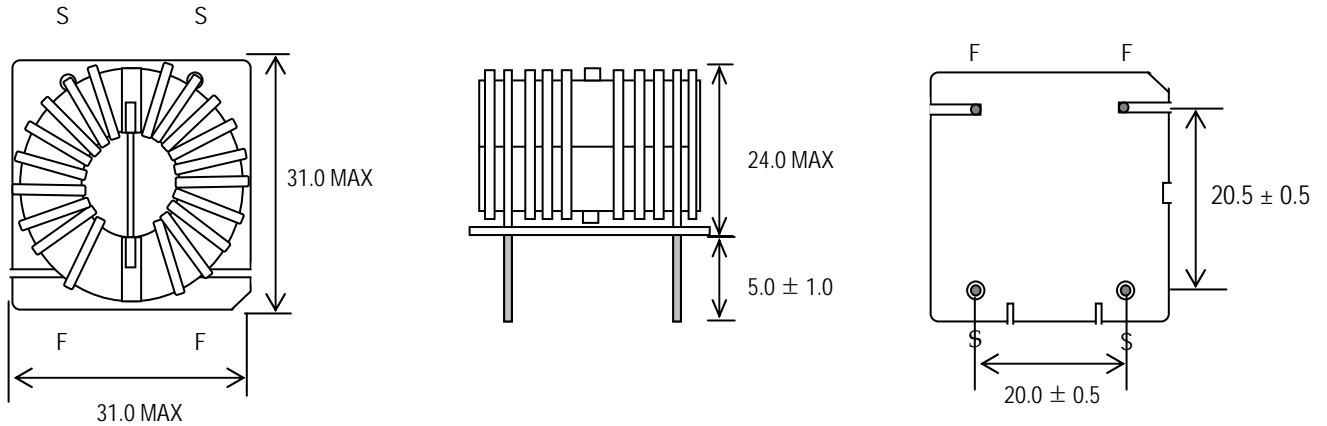
검 토	심 사	승 인
승인유효기간	승인일로부터	년

신청회사명	 남선전자주식회사	TEL	02-2689-9418
		FAX	02-2689-8628
주 소	Na-3506, Chungang Circulation Complex, 1258 Kurobon-dong, Kuro-Ku, Seoul, Korea, 152-721		

COIL SPECIFICATIONS

CUSTOMER :	ITEM : LINE FILTER (25Φ)	DATE : 2008. 6. 2.
MODEL NO. : Φ25 x 6mH(V.T)	SPEC NO. :	PART NO. :

1. DIMENSION (UNIT : m/m)



2. ELECTRICAL CHARACTERISTICS

3. MATERIAL

NAME	LINE FILTER	WIRE	2 UEW 1.0Φ x 1P
Type & Color Code	25Φ RING	CORE	ISU (HM5A) T2512
Inductance	6mH MIN.	CAP	25Φ (PBT)
Measured Frequency	1KHz		
S → F	26	Ts	
S → F	26	Ts	

NAMSUN ELECTRONICS CO., LTD.

Na-3506, Chungang Circulation Complex, 1258
 Kurobon-dong, Kuro-Ku, Seoul, Korea, 152-721
 TEL: 02-2689-9418 , FAX: 02-2689-8628

DESIGN	CHECK	APPROVAL
개발실 추유섭 08.06.02.	개발실 이상순 08.06.02.	개발실 조한석 08.06.02.
FILE NO.	SH - 071203-01	