

승 인	
정식승인	( )
한도승인	( )

# SPECIFICATIONS

CUSTOMER	
ITEM	LINE FILTER
MODEL NAME	
PART No	Φ25 * 20mH*V-TYPE
DATE	2008-08-13

검 토	심 사	승 인
승인유효기간	승인일로부터	년

신청회사명	 <b>남선전자주식회사</b>	TEL	02-2689-9418
		FAX	02-2689-8628
주 소	Na-3506, Chungang Circulation Complex, 1258 Kurobon-dong, Kuro-Ku, Seoul, Korea, 152-721		

# APPROVAL SHEET

DATE

2008. 08. 13

PAGE

1 / 3

CUSTOMER

PART NAME

LINE FILTER

MODEL NO.

PART NO.

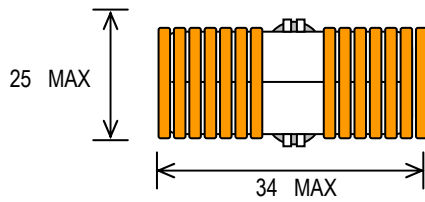
Φ25\*20mH\*V-TYPE

SIZE NO.

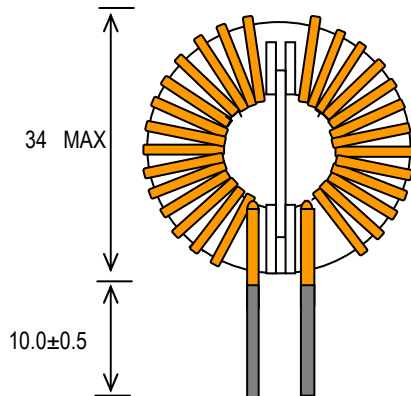
T2512

## 1. DIMENSION (UNIT:mm)

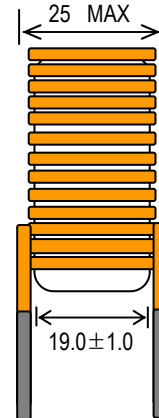
< TOP VIEW >



< FRONT VIEW >



< SIDE VIEW >



**NAMSUN ELECTRONICS CO., LTD.**

Na-3506, Chungang Circulation Complex, 1258  
Kurobon-dong, Kuro-Ku, Seoul, Korea, 152-721  
TEL:02-2689-9418 , FAX:02-2689-8628

DESIGN

CHECK

APPROVAL

개발실  
이상순  
08.08.13

개발실  
김상문  
08.08.13

개발실  
노성복  
08.08.13

FILE NO.

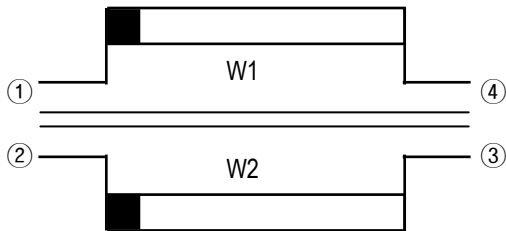
SH - 080813 - 36

# APPROVAL SHEET

DATE 2008. 08. 13  
PAGE 2 / 3

CUSTOMER			
PART NAME	LINE FILTER	MODEL NO.	
PART NO.	Φ25*20mH*V-TYPE	SIZE NO.	T2512

## 2. SCHEMATIC DIAGRAM



WINDNG	BOTTOM VIEW	C.C.W
N.C PIN		
REMOVE PIN		

## 3. WINDING SPEC

WINDING ORDER	TERMINAC NO	WIRE	URNS
W1	1 → 4	UEW 0.8Φ x 1P	44Ts
W2	2 → 3	UEW 0.8Φ x 1P	44Ts

## 4. ELECTRICAL CHARACTERISTIC

NO	CLOSURE	TERMINAL NO.	ELECTRICAL CHARACTERISTICS	TOLERANCE	CONDITION
1	INDUCTANCE	1 → 4 2 → 3	20.0 mH	± 30%	PM - 6306 LCR-METER at 1.0 KHz. LEVEL : 1.0V
2	DC CURRENT OVERLAP	DC 0.5m A, (START TO FINISH)			
3	INSULATION RESISTANCE	DC 500V, 100MΩ MIN(COIL TO CORE)			

**NAMSUN ELECTRONICS CO., LTD.**

Na-3506, Chungang Circulation Complex, 1258  
Kurobon-dong, Kuro-Ku, Seoul, Korea, 152-721  
TEL: 02-2689-9418 , FAX: 02-2689-8628

DESIGN	CHECK	APPROVAL
개발실 이상순 08.08.13	개발실 김상문 08.08.13	개발실 노성복 08.08.13
FILE NO.	SH - 080813 - 36	

# APPROVAL SHEET

DATE

2008. 08. 13

PAGE

3 / 3

CUSTOMER

PART NAME

LINE FILTER

MODEL NO.

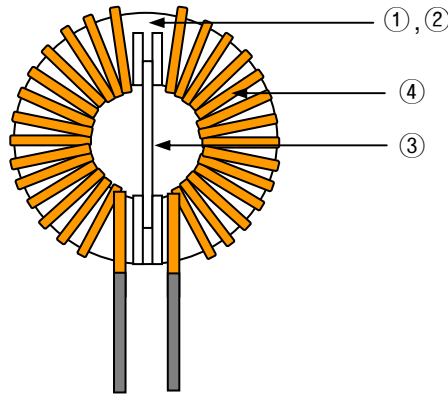
PART NO.

Φ25\*20mH\*V-TYPE

SIZE NO.

T2512

## 5. INTERNAL STRUCTURE



## 6. MATERIAL LIST

NO	COMPONENT	NAME OF MATERIAL	MANUFACTURER OF MATERIAL	REMARKS
1	CORE	HM5A T2512	ISU CO.,LTD.	
2	CORE COVER	PBT (SK655FR) PBT (GP-1006-F) PBT (VB-5300GF) UL94V-0 CLASS	EI DUPONT DE NEMOURS & CO.,LTD LG CHEMICAL LTD CHEIL INDUSTRIES INC. (한국보빈)	E41938 E67171(M) E115797
3	COIL SEPARATOR	PBT (SK655FR) PBT (GP-2306-F) PBT (VB-5300GF) UL94V-0 CLASS	EI DUPONT DE NEMOURS & CO.,LTD LG CHEMICAL LTD CHEIL INDUSTRIES INC. (한국보빈)	E41938 E67171(M) E115797
4	WIRE	POLYURETHANE UEW 1.0Φ	TAIHAN ELECTRIC WIRE CO., LTD. CNI CABLE CO.,LTD.	E109312(N) E210918
5	FLUX	HDF 102	HANDOK FLUX	
6	SOLDER	SN99.5%,CU0.5%	DONGBU HANNONG CHEMICAL CO.,LTD.	

**NC NAMSUN ELECTRONICS CO., LTD.**

Na-3506, Chungang Circulation Complex, 1258  
Kurobon-dong, Kuro-Ku, Seoul, Korea, 152-721  
TEL:02-2689-9418 , FAX:02-2689-8628

DESIGN

개발실  
이상순  
08.08.13

CHECK

개발실  
김상문  
08.08.13

APPROVAL

개발실  
노성복  
08.08.13

FILE NO.

SH - 080813 - 36